

MVSC-220 series

SOLENOID VALVE

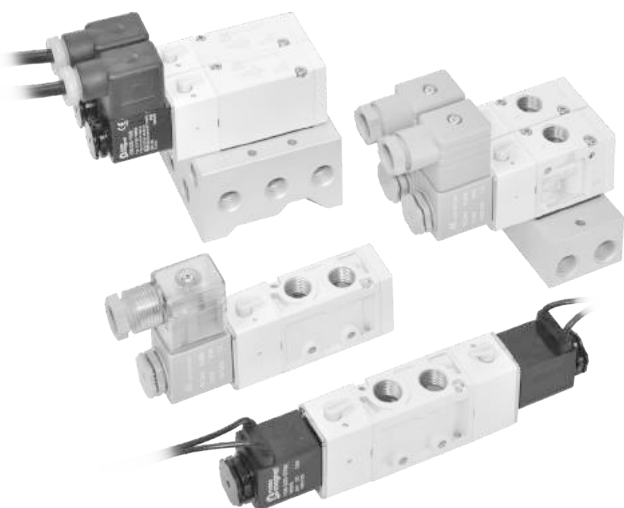


mindman

Specification

Model	3E1	3E2	4E1	4E2	4E2C.P.R
Bore No.	8A		6A, 8A		
Port size	Rc1/4		Rc1/8, Rc1/4		
No. of port	3		5		
No. of position	2		2		3
Medium	Air				
Operating pressure range	0.2~0.8 MPa			0.3~0.8 MPa	
Operating pressure (LP)	0~0.8 MPa				
External pilot pressure (LP)	0.2~0.8 MPa			0.3~0.8 MPa	
Proof pressure	1 MPa				
Effective orifice	18 mm ²			16 mm ²	
Response time	30 ms			40 ms	
Ambient temperature	-5~+50℃ (No freezing)				
Voltage	AC110V, 220V (50/60)Hz, DC24V				
Power consumption	AC=4.8/4.4VA, 6/4.9VA, DC=2W				
Available voltage range	±10%				
Insulation class	F class				
Weight	203 g	296 g	184 g	292 g	338 g

(Explosion - proof type)



Order example of valve

MVSC – 220M – 4E2C – NC – □ – AC110 – L – LP – G

MODEL

BODY WIDTH

Blank: body ported type
M: manifold type

3: 3way
4: 4way

E1: Single Solenoid
E2: Double Solenoid

C: Closed center
P: Pressure center
R: Exhaust center
D: Differential
(Only for 4E2 type)

NC: Normally closed
NO: Normally open
(Only for 3E1 type)

BORE SIZE

Blank: Rc1/4
6A: Rc1/8
(Only for 4E* & body ported type)

VOLTAGE

AC220V(50/60)Hz
AC110V(50/60)Hz
DC24V

LP: External pilot

Blank: DIN connector
L : DIN connector with LED indicator
E : Explosion protection (Table 1)
W : Lead wire

PORT THREAD
Blank: Rc thread
G: G thread
NPT: NPT thread
(Only for body ported type)

Order example of manifold

MVSC – 220M – 5M3 – G

MODEL

Blank: body ported type
M: manifold type

MANIFOLD

3B: 3way (for body ported type)
5B: 4way (for body ported type)
5M: 4way (for manifold type)

MANIFOLD NUMBER

1, 2, 3...

PORT THREAD

Blank: Rc thread
G: G thread
NPT: NPT thread

Table 1

Property for explosion-proof type

Anti-explosion class	EEx m II T4
Voltage	AC110V, 220V, (50/60)Hz, DC24V.
Power consumption	AC=4.4VA DC=5W
Available voltage range	±10%
Insulation class	F class

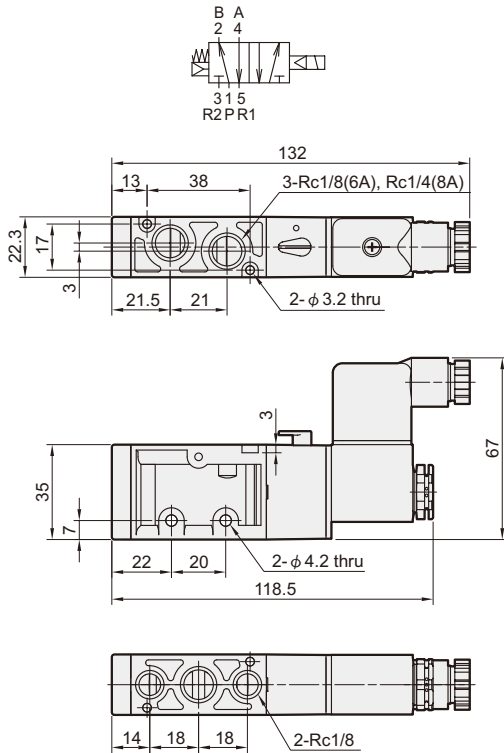


mindman

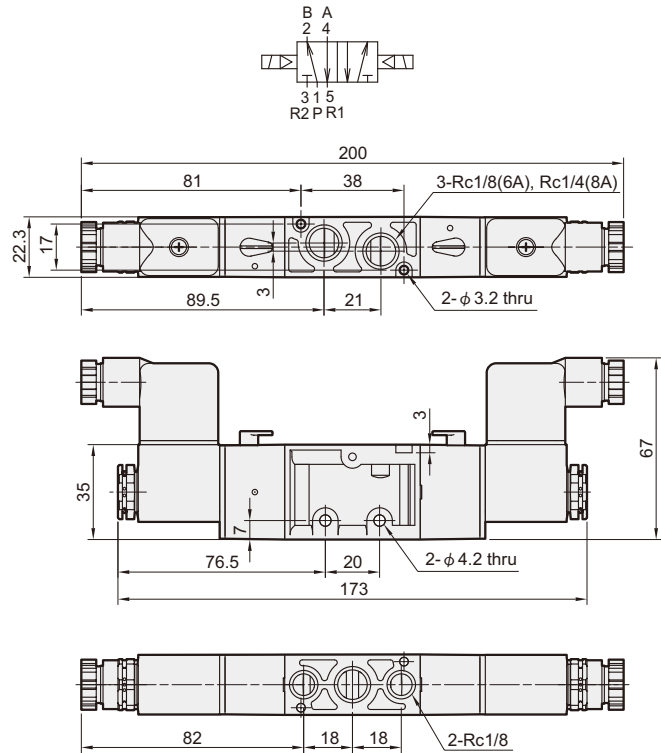
MVSC-220 Dimensions

SOLENOID VALVE

MVSC-220-4E1



MVSC-220-4E2

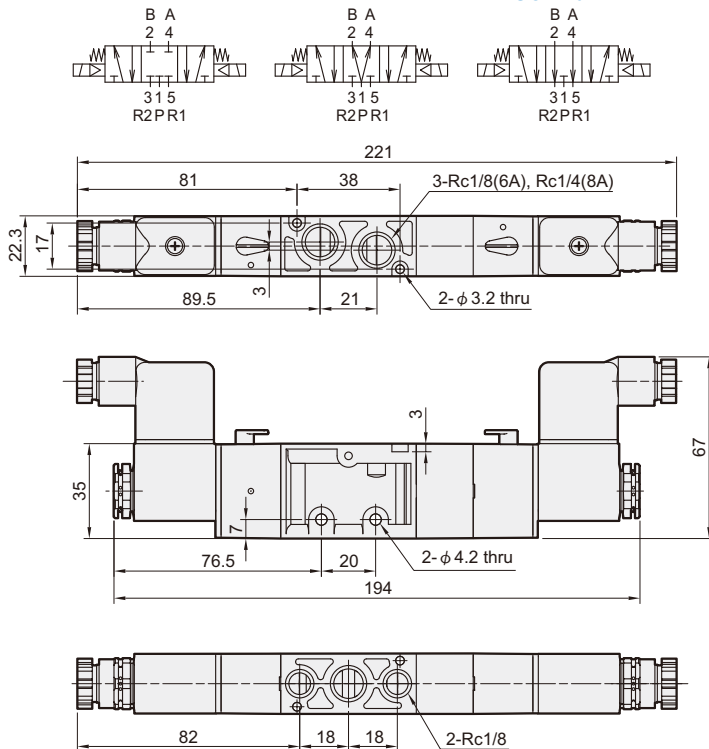


MVSC-220-4E2C.PR

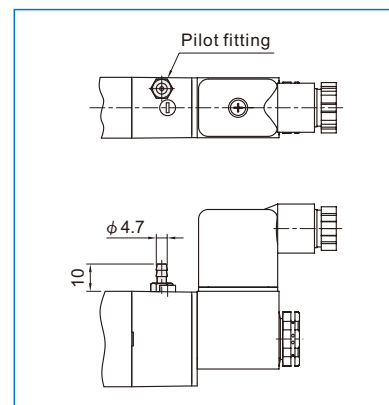
MVSC-220-4E2C

MVSC-220-4E2P

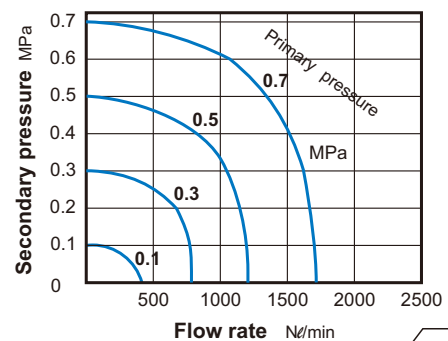
MVSC-220-4E2R



LP



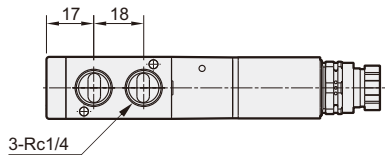
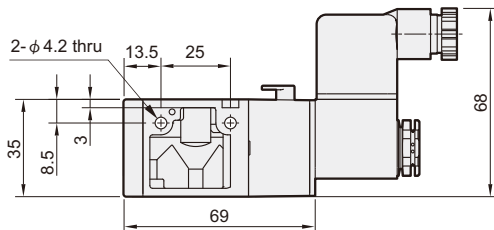
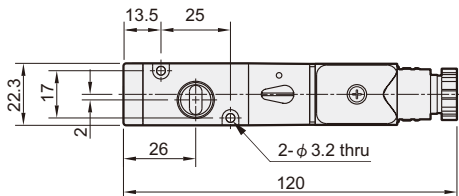
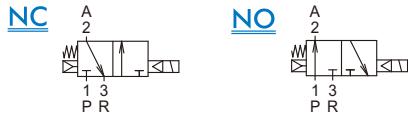
Flow features:



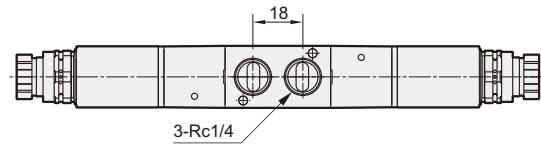
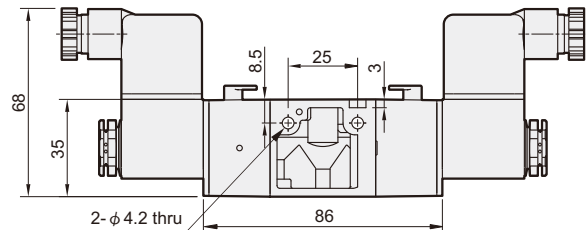
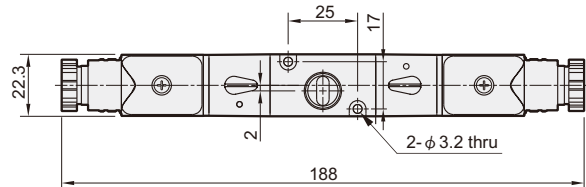
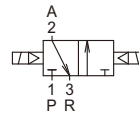
MVSC-220 Dimensions / Manifold

SOLENOID VALVE

MVSC-220-3E1-NC/NO



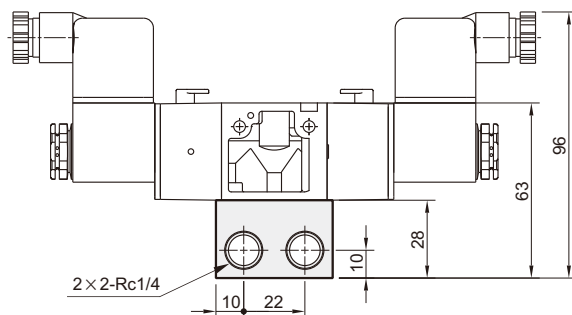
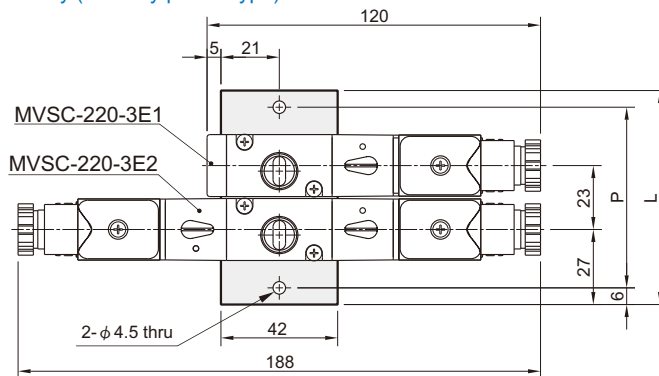
MVSC-220-3E2



Manifold of solenoid valve

MVSC-220-3B*

3way (for body ported type)



No. of stations	P	L
2	65	77
3	88	100
4	111	123
5	134	146
6	157	169
7	180	192
8	203	215
9	226	238
10	249	261

MVSC-220 Manifold

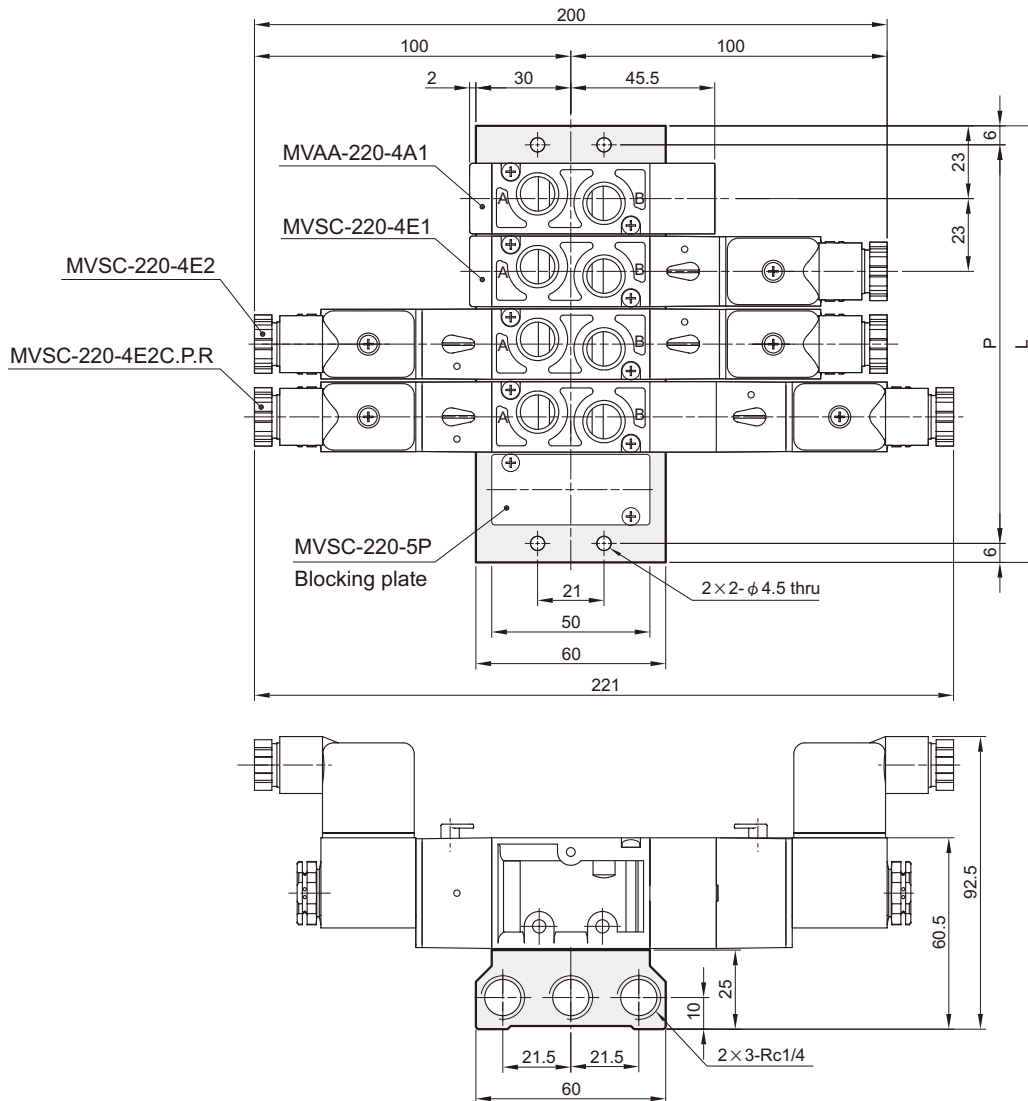
SOLENOID VALVE



Mindman

MVSC-220-5B*

4way (for body ported type)



No. of stations	P	L
2	57	69
3	80	92
4	103	115
5	126	138
6	149	161
7	172	184
8	195	207
9	218	230
10	241	253



Mindman

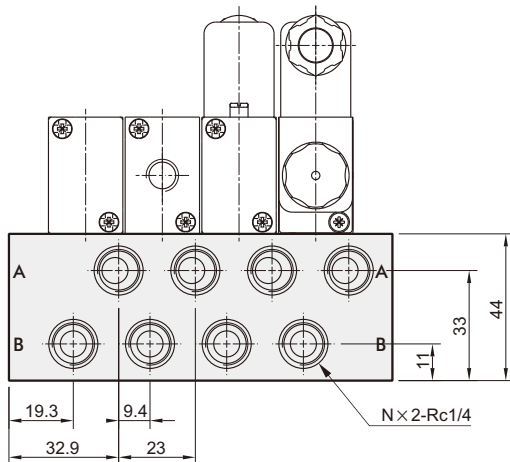
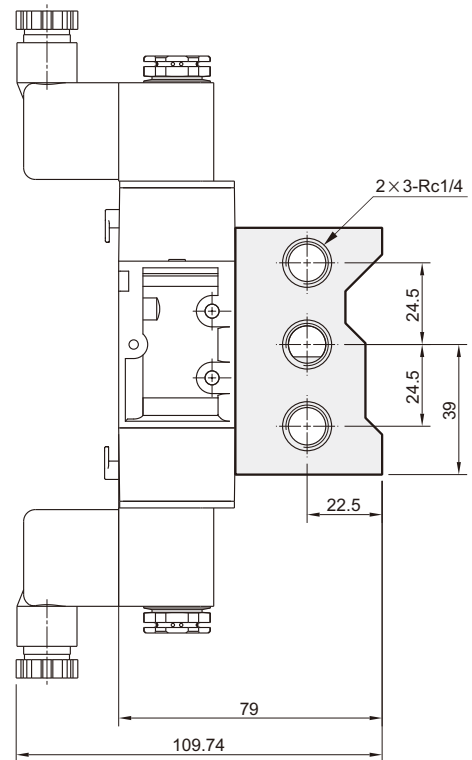
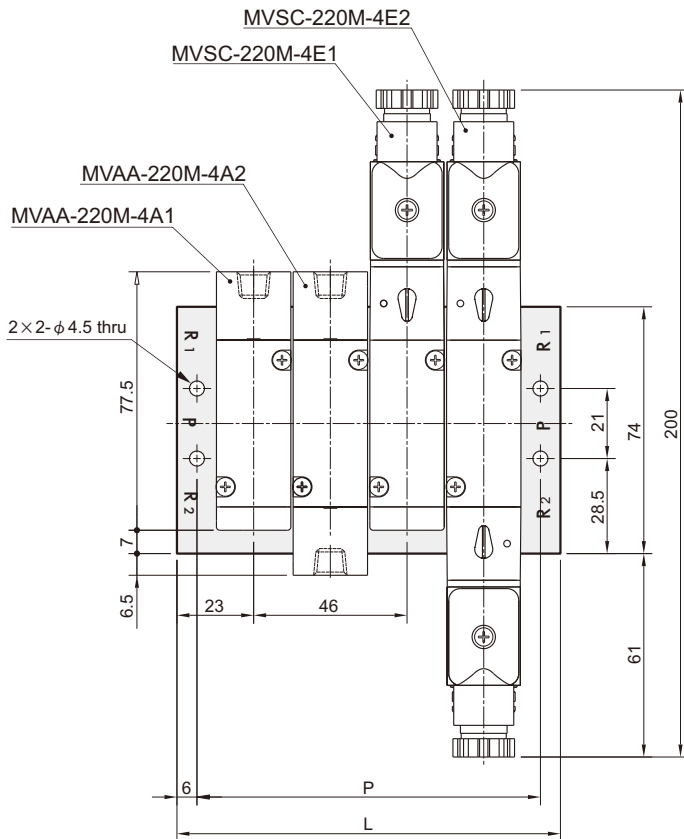
MVSC-220 Manifold

SOLENOID VALVE



MVSC-220M-5M*

4way (for manifold type)



No. of stations (N)	P	L
2	57	69
3	80	92
4	103	115
5	126	138
6	149	161
7	172	184
8	195	207
9	218	230
10	241	253

